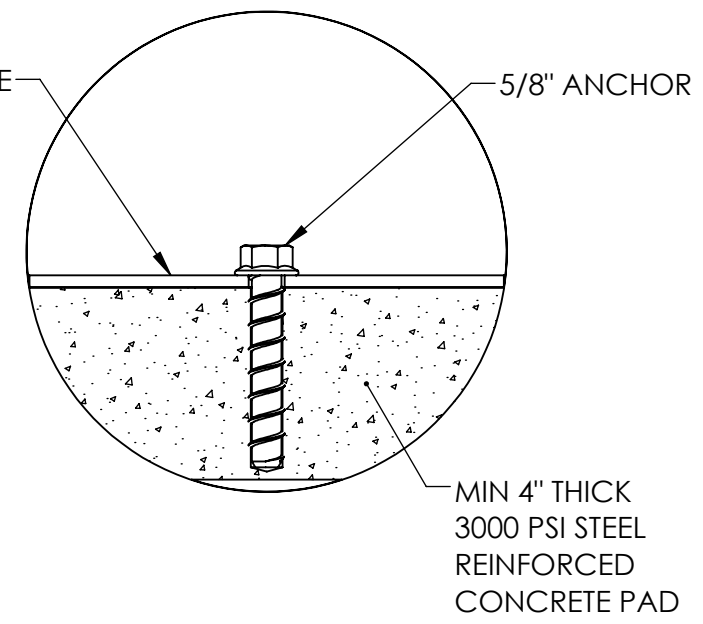
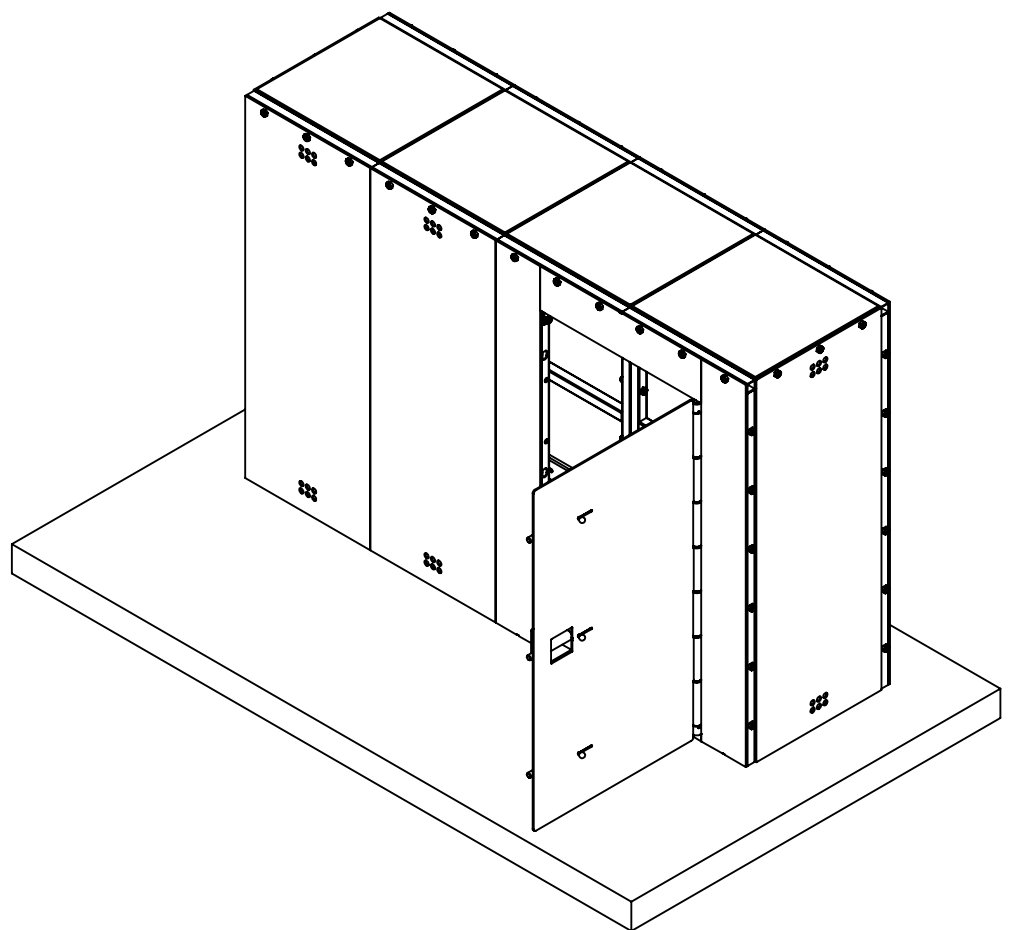
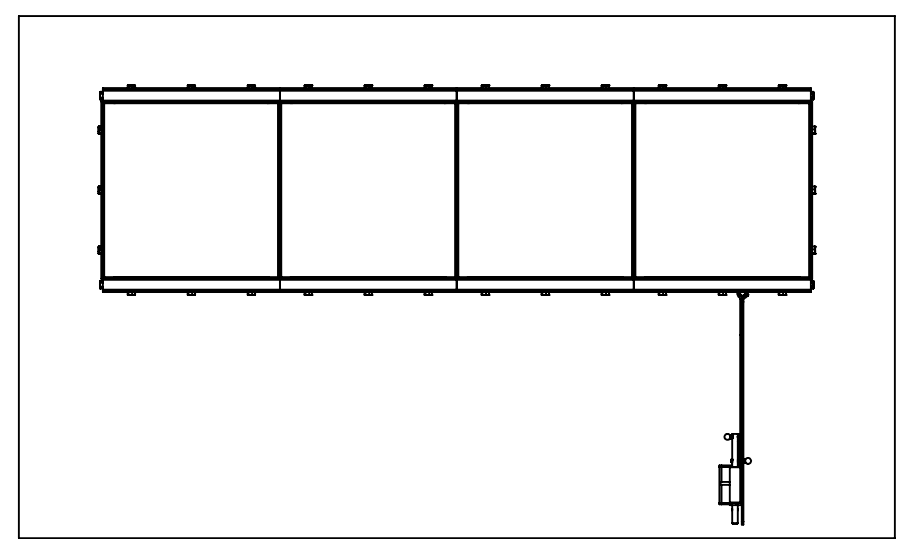


8 7 6 5 4 3 2 1

D  
C  
B  
A



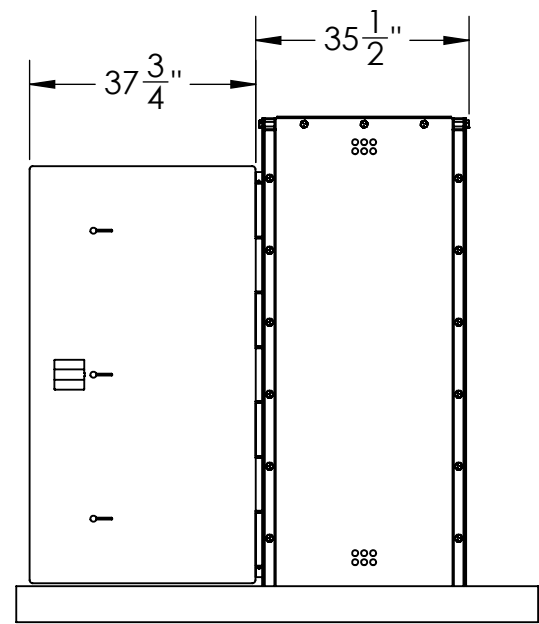
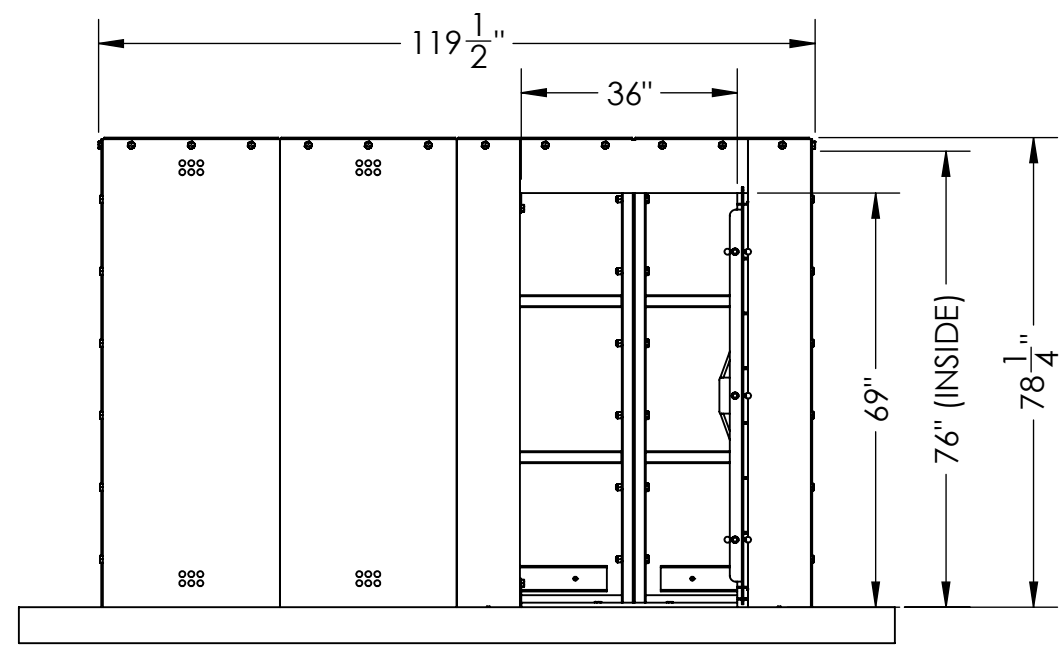
**FEATURES**

- INTERIOR FLOOR AREA  
- 23 SF
- WALL, CEILING AND DOOR PANELS  
- 1/4" STEEL PLATE
- WALL AND CEILING PANEL REINFORCEMENT  
- 2"x2"x3/16" SQUARE TUBES WELDED TO WALL PANEL
- DOOR PANEL REINFORCEMENT  
- 1/4" STEEL PLATES WELDED TO DOOR PANEL
- DOOR HINGE  
- CONTINUOUS HINGE WITH 1-3/4" X 9" KNUCKLES  
- 15/16" DIA. SOLID STEEL HINGE PIN  
- CONNECTIONS MADE WITH WELDED SPLINE JOINTS
- DOOR LOCKING SYSTEM  
- THREE 15/16" DIA. SLIDE BARS
- FASTENERS  
- 3/4" DIA GRADE 5 BOLTS
- ANCHORING SYSTEM  
- 5/8" DIA. POWERS WEDGE-BOLT+ SCREW ANCHORS
- POWDER COATED FINISH

DESIGNED AND CONSTRUCTED IN ACCORDANCE WITH FEMA 361/320 AND ICC-500-2008

TESTED AND APPROVED BY WIND SCIENCE & ENGINEERING RESEARCH CENTER - DEBRIS IMPACT TEST FACILITY

ATSA (AMERICAN TORNADO SHELTER ASSOC) LISTED



REVISIONS			
REV.	DESCRIPTION	DATE	BY
A	RELEASE	6/29/2023	DF
B	REVISE ASSEMBLY	6/10/2024	DF

**PROPRIETARY AND CONFIDENTIAL**  
THE INFORMATION CONTAINED IN THIS DRAWING IS THE SOLE PROPERTY OF STAYING HOME CORPORATION. ANY REPRODUCTION IN PART OR AS A WHOLE WITHOUT THE WRITTEN PERMISSION OF STAYING HOME CORPORATION IS PROHIBITED.

UNLESS OTHERWISE SPECIFIED:  
DIMENSIONS ARE IN INCHES  
TOLERANCES:  
FRACTIONAL ±1/4  
ANGULAR: ±0.5°  
ONE PLACE DECIMAL ±0.1  
TWO PLACE DECIMAL ±0.01  
THREE PLACE DECIMAL ±0.005  
INTERPRET GEOMETRIC TOLERANCING PER:  
MATERIAL  
FINISH  
DO NOT SCALE DRAWING

	NAME	DATE
DRAWN		6/27/2023
CHECKED		
ENG APPR.		
MFG APPR.		
Q.A.		
COMMENTS:		



TITLE:  
**Hide-Away II Shelter**

SIZE <b>B</b>	DWG. NO. <b>FXII - 4X1</b>	REV <b>B</b>
------------------	-------------------------------	-----------------

SCALE: 1:32 WEIGHT: 3349.66 SHEET 1 OF 1

8 7 6 5 4 3 2 1