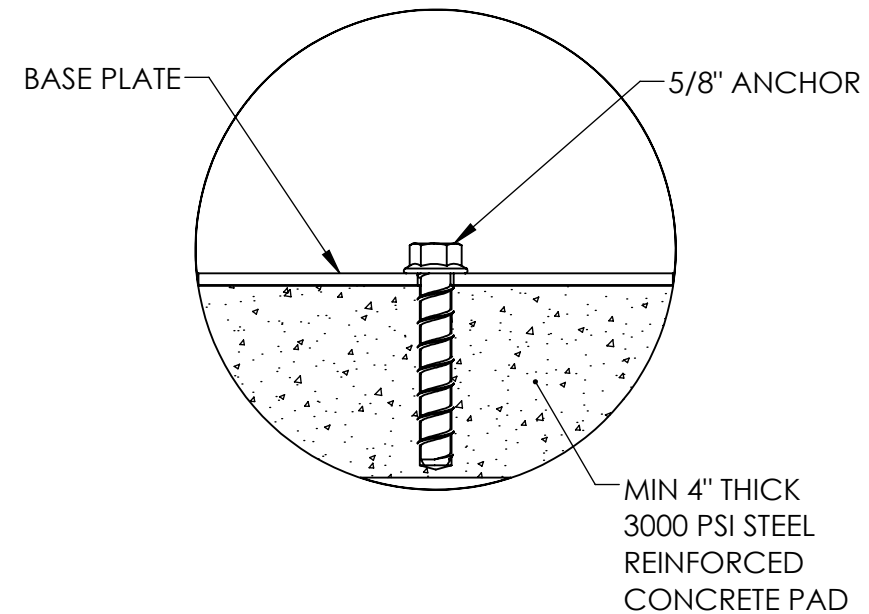
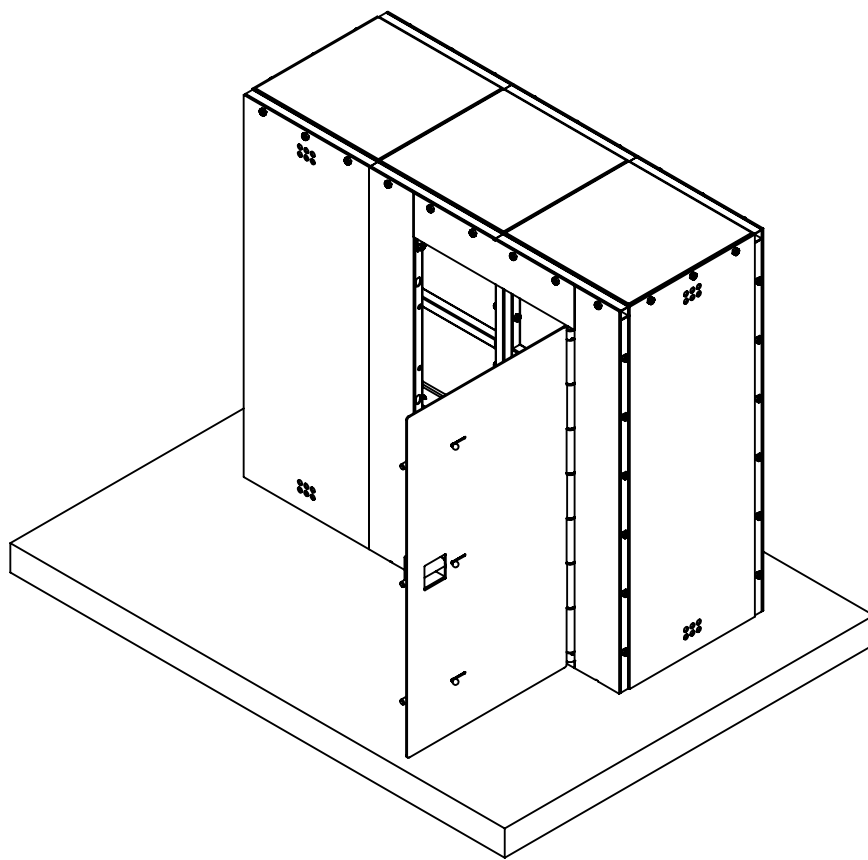
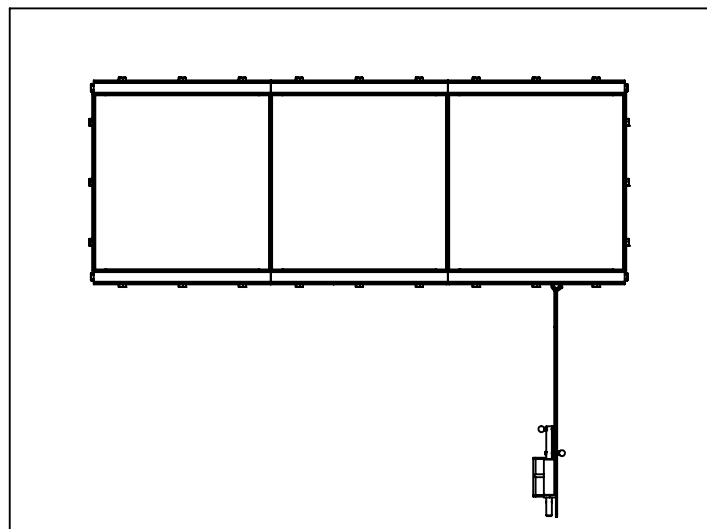


8 7 6 5 4 3 2 1

D
C
B
A



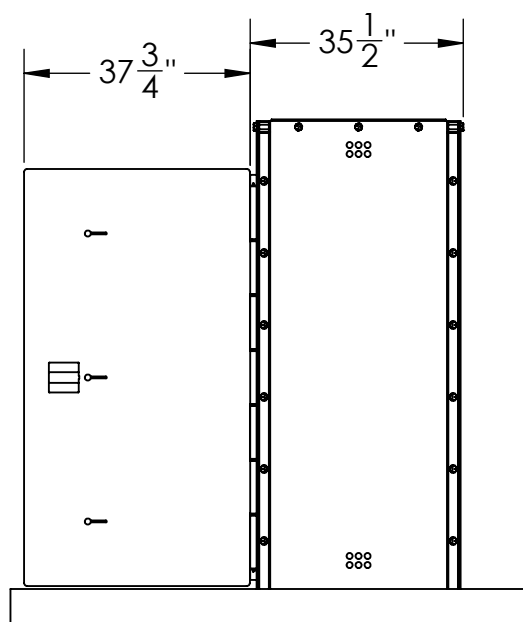
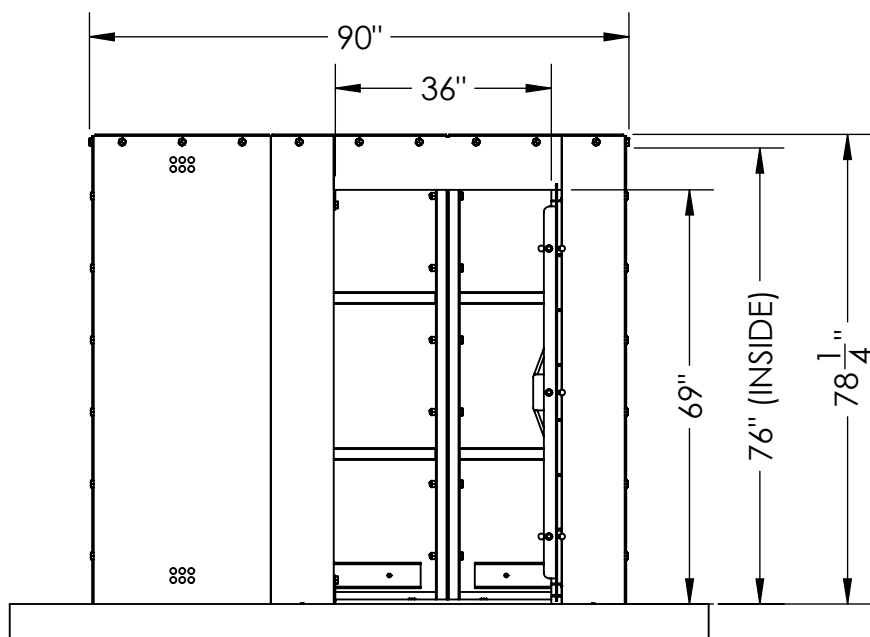
FEATURES

- INTERIOR FLOOR AREA
- 17 SF
- WALL, CEILING AND DOOR PANELS
- 1/4" STEEL PLATE
- WALL AND CEILING PANEL REINFORCEMENT
- 2"x2"x3/16" SQUARE TUBES WELDED TO WALL PANEL
- DOOR PANEL REINFORCEMENT
- 1/4" STEEL PLATES WELDED TO DOOR PANEL
- DOOR HINGE
- CONTINUOUS HINGE WITH 1-3/4" X 9" KNUCKLES
- 15/16" DIA. SOLID STEEL HINGE PIN
- CONNECTIONS MADE WITH WELDED SPLINE JOINTS
- DOOR LOCKING SYSTEM
- THREE 15/16" DIA. SLIDE BARS
- FASTENERS
- 3/4" DIA GRADE 5 BOLTS
- ANCHORING SYSTEM
- 5/8" DIA. POWERS WEDGE-BOLT+ SCREW ANCHORS
- POWDER COATED FINISH

DESIGNED AND CONSTRUCTED IN ACCORDANCE WITH FEMA 361/320 AND ICC-500-2008

TESTED AND APPROVED BY WIND SCIENCE & ENGINEERING RESEARCH CENTER - DEBRIS IMPACT TEST FACILITY

ATSA (AMERICAN TORNADO SHELTER ASSOC) LISTED



REVISIONS			
REV.	DESCRIPTION	DATE	BY
A	RELEASE	6/29/2023	DF
B	REVISE ASSEMBLY	6/10/2024	DF

PROPRIETARY AND CONFIDENTIAL
 THE INFORMATION CONTAINED IN THIS DRAWING IS THE SOLE PROPERTY OF STAYING HOME CORPORATION. ANY REPRODUCTION IN PART OR AS A WHOLE WITHOUT THE WRITTEN PERMISSION OF STAYING HOME CORPORATION IS PROHIBITED.

UNLESS OTHERWISE SPECIFIED:
 DIMENSIONS ARE IN INCHES
 TOLERANCES:
 FRACTIONAL ± 1/4
 ANGULAR: ± 0.5°
 ONE PLACE DECIMAL ± 0.1
 TWO PLACE DECIMAL ± 0.01
 THREE PLACE DECIMAL ± 0.005
 INTERPRET GEOMETRIC TOLERANCING PER:
 MATERIAL
 FINISH
 DO NOT SCALE DRAWING

	NAME	DATE
DRAWN		6/27/2023
CHECKED		
ENG APPR.		
MFG APPR.		
Q.A.		
COMMENTS:		



TITLE:
Hide-Away II Shelter

SIZE B	DWG. NO. FXII - 3X1	REV B
------------------	-------------------------------	-----------------

SCALE: 1:32 WEIGHT: 2703.74 SHEET 1 OF 1

8 7 6 5 4 3 2 1