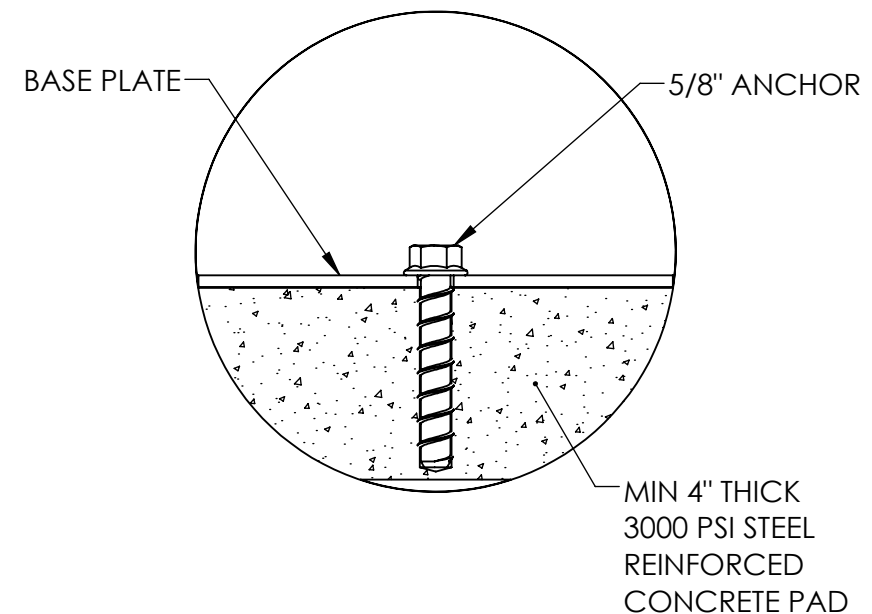
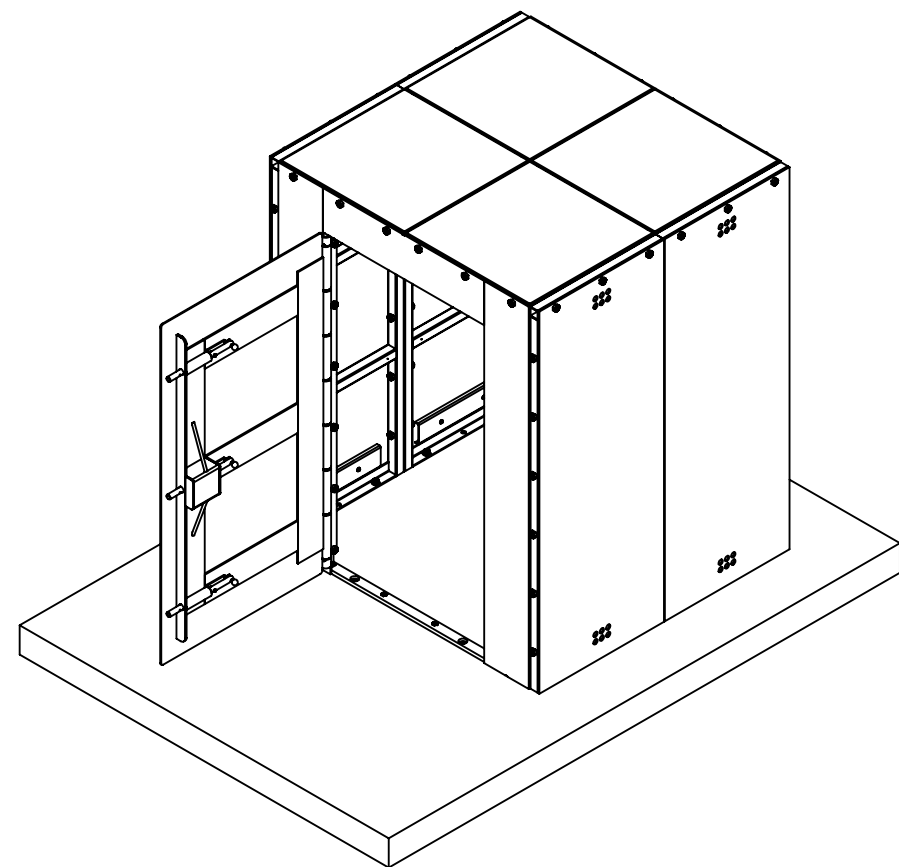
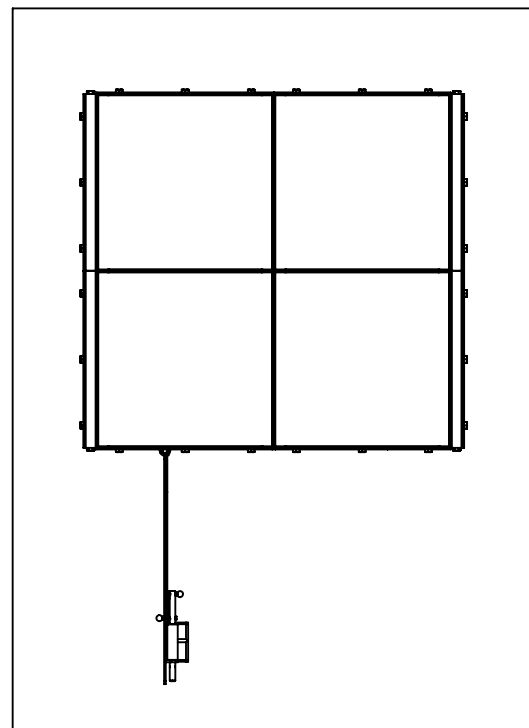


8 7 6 5 4 3 2 1

D
C
B
A



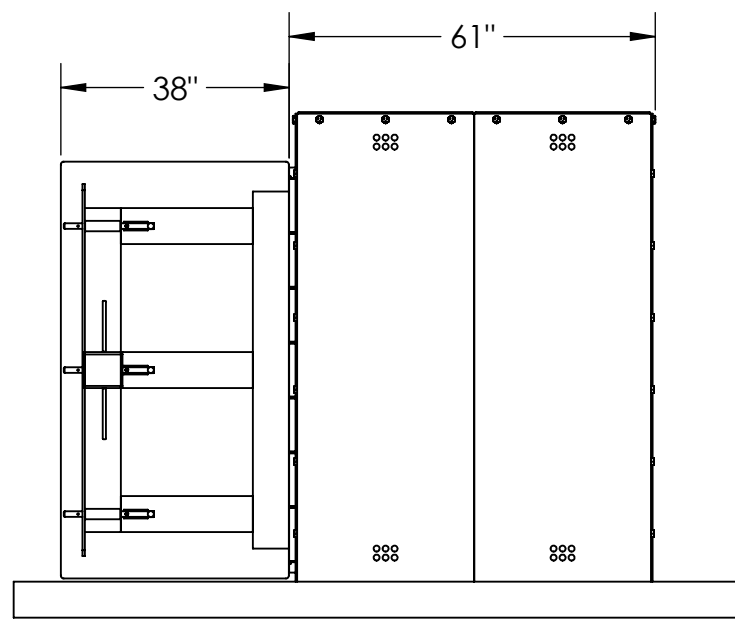
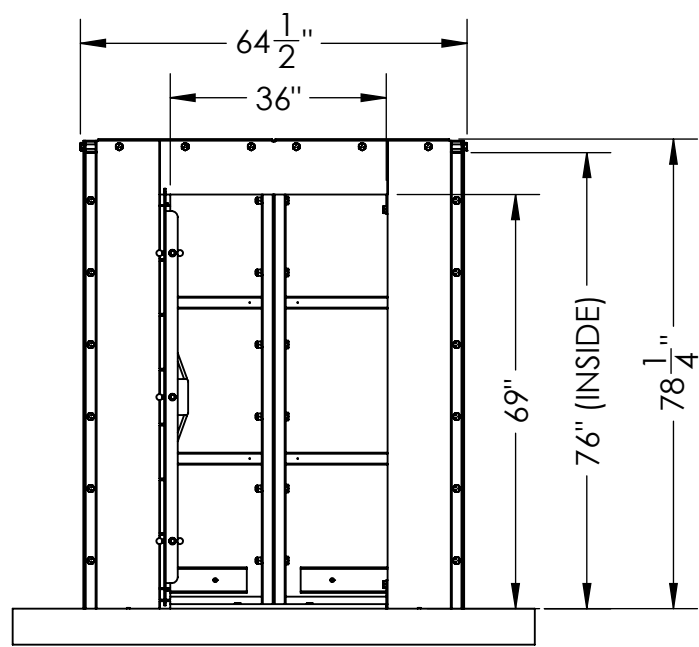
FEATURES

- INTERIOR FLOOR AREA
- 22 SF
- WALL, CEILING AND DOOR PANELS
- 1/4" STEEL PLATE
- WALL AND CEILING PANEL REINFORCEMENT
- 2"x2"x3/16" SQUARE TUBES WELDED TO WALL PANEL
- DOOR PANEL REINFORCEMENT
- 1/4" STEEL PLATES WELDED TO DOOR PANEL
- DOOR HINGE
- CONTINUOUS HINGE WITH 1-3/4" X 9" KNUCKLES
- 15/16" DIA. SOLID STEEL HINGE PIN
- CONNECTIONS MADE WITH WELDED SPLINE JOINTS
- DOOR LOCKING SYSTEM
- THREE 15/16" DIA. SLIDE BARS
- FASTENERS
- 3/4" DIA GRADE 5 BOLTS
- ANCHORING SYSTEM
- 5/8" DIA. POWERS WEDGE-BOLT+ SCREW ANCHORS
- POWDER COATED FINISH

DESIGNED AND CONSTRUCTED IN ACCORDANCE WITH FEMA 361/320 AND ICC-500-2008

TESTED AND APPROVED BY WIND SCIENCE & ENGINEERING RESEARCH CENTER - DEBRIS IMPACT TEST FACILITY

ATSA (AMERICAN TORNADO SHELTER ASSOC) LISTED



UNLESS OTHERWISE SPECIFIED:

DIMENSIONS ARE IN INCHES	NAME	DATE
TOLERANCES:	DRAWN	6/27/2023
FRACTIONAL ± 1/4	CHECKED	
ANGULAR: ± 0.5°	ENG APPR.	
ONE PLACE DECIMAL ± 0.1	MFG APPR.	
TWO PLACE DECIMAL ± 0.01	Q.A.	
THREE PLACE DECIMAL ± 0.005	COMMENTS:	
INTERPRET GEOMETRIC TOLERANCING PER:		
MATERIAL		
FINISH		
DO NOT SCALE DRAWING		

PROPRIETARY AND CONFIDENTIAL
THE INFORMATION CONTAINED IN THIS DRAWING IS THE SOLE PROPERTY OF STAYING HOME CORPORATION. ANY REPRODUCTION IN PART OR AS A WHOLE WITHOUT THE WRITTEN PERMISSION OF STAYING HOME CORPORATION IS PROHIBITED.

REVISIONS			
REV.	DESCRIPTION	DATE	BY
A	RELEASE	6/29/2023	DF



SIZE	DWG. NO.	REV
B	FXII - 2X2	A
SCALE: 1:32 WEIGHT: 2787.97 SHEET 1 OF 1		

8 7 6 5 4 3 2 1