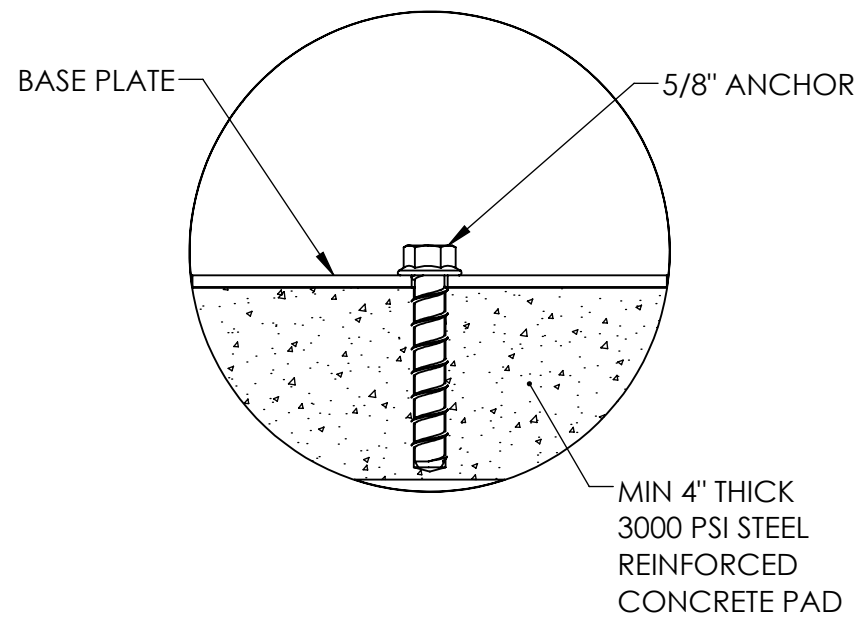
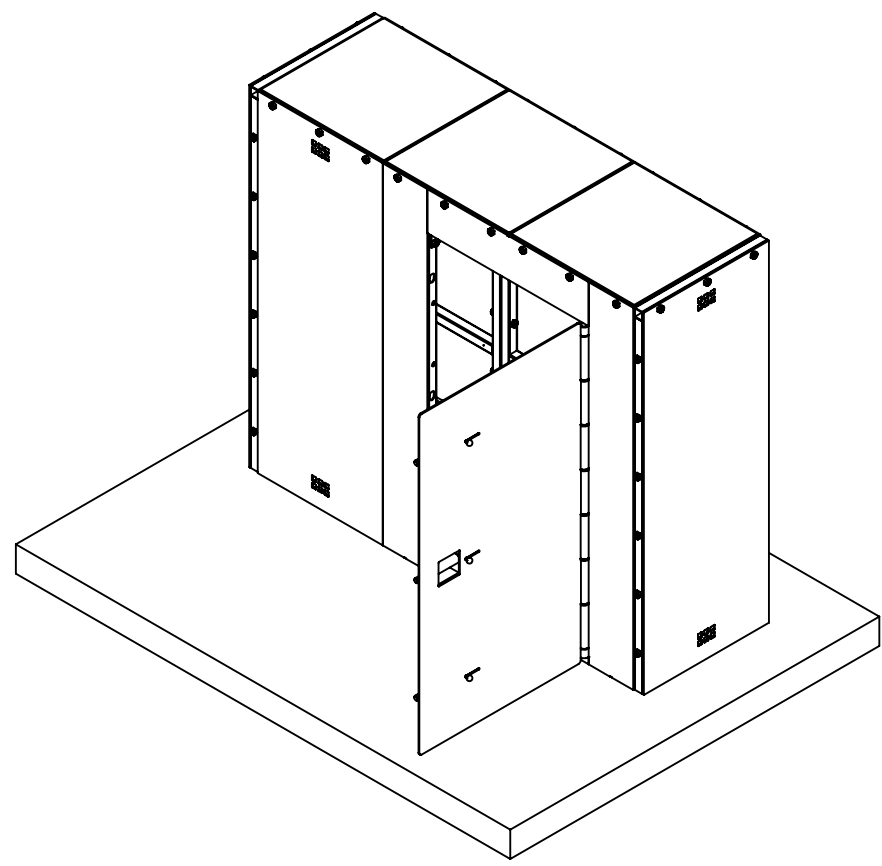
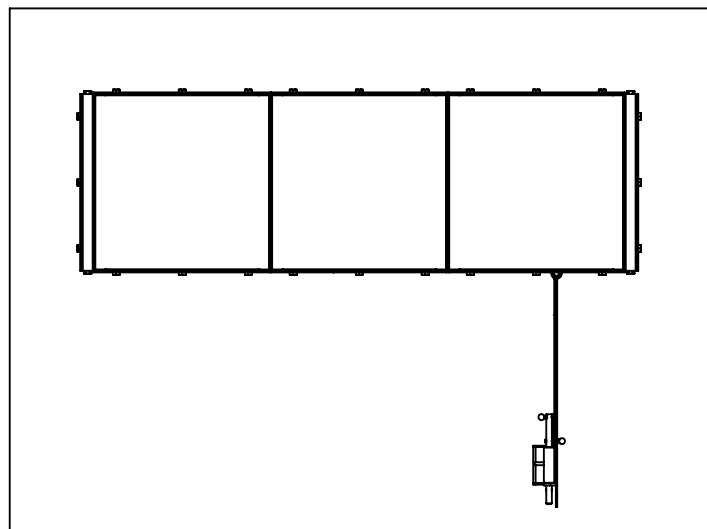


8 7 6 5 4 3 2 1

D  
C  
B  
A



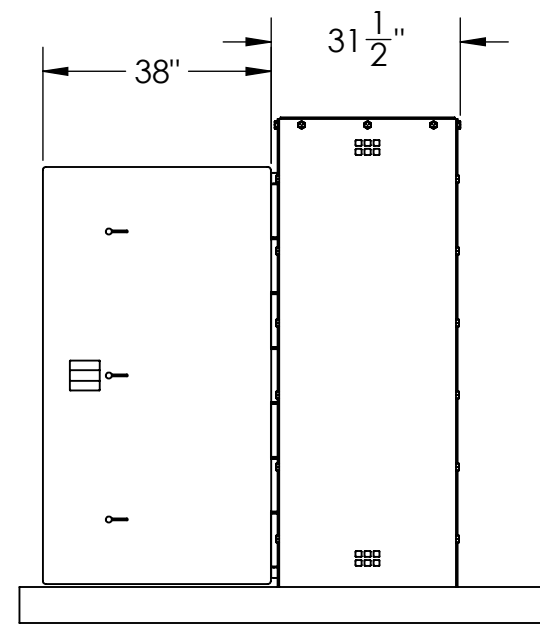
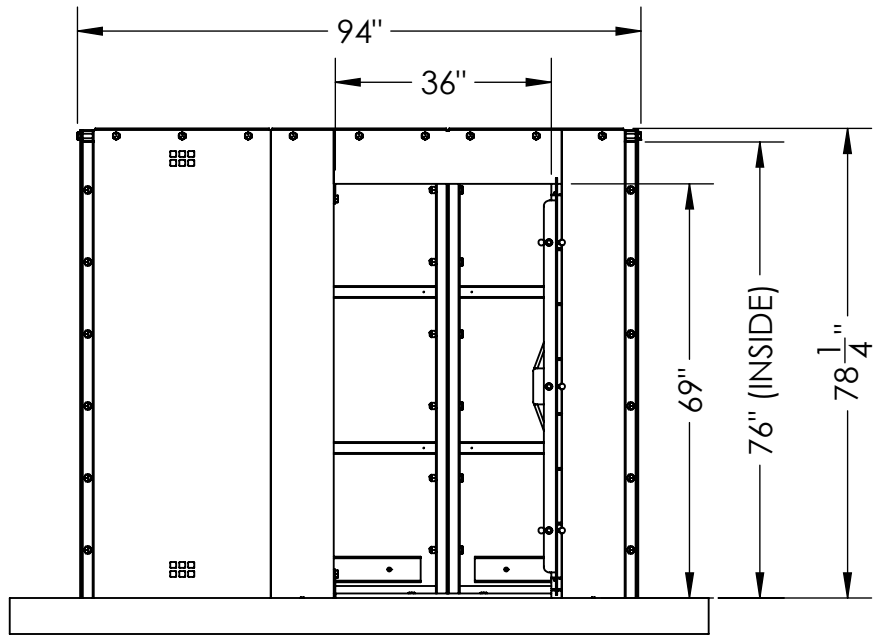
**FEATURES**

- INTERIOR FLOOR AREA  
- 15 SF
- WALL, CEILING AND DOOR PANELS  
- 1/4" STEEL PLATE
- WALL AND CEILING PANEL REINFORCEMENT  
- 2"x2"x3/16" SQUARE TUBES WELDED TO WALL PANEL
- DOOR PANEL REINFORCEMENT  
- 1/4" STEEL PLATES WELDED TO DOOR PANEL
- DOOR HINGE  
- CONTINUOUS HINGE WITH 1-3/4" X 9" KNUCKLES  
- 15/16" DIA. SOLID STEEL HINGE PIN  
- CONNECTIONS MADE WITH WELDED SPLINE JOINTS
- DOOR LOCKING SYSTEM  
- THREE 15/16" DIA. SLIDE BARS
- FASTENERS  
- 3/4" DIA GRADE 5 BOLTS
- ANCHORING SYSTEM  
- 5/8" DIA. POWERS WEDGE-BOLT+ SCREW ANCHORS
- POWDER COATED FINISH

DESIGNED AND CONSTRUCTED IN ACCORDANCE WITH FEMA 361/320 AND ICC-500-2008

TESTED AND APPROVED BY WIND SCIENCE & ENGINEERING RESEARCH CENTER - DEBRIS IMPACT TEST FACILITY

ATSA (AMERICAN TORNADO SHELTER ASSOC) LISTED



UNLESS OTHERWISE SPECIFIED:

DIMENSIONS ARE IN INCHES	NAME	DATE
TOLERANCES:	DRAWN	6/27/2023
FRACTIONAL ±1/4	CHECKED	
ANGULAR: ±0.5°	ENG APPR.	
ONE PLACE DECIMAL ±0.1	MFG APPR.	
TWO PLACE DECIMAL ±0.01	Q.A.	
THREE PLACE DECIMAL ±0.005	COMMENTS:	
INTERPRET GEOMETRIC TOLERANCING PER:		
MATERIAL		
FINISH		
DO NOT SCALE DRAWING		

**PROPRIETARY AND CONFIDENTIAL**  
THE INFORMATION CONTAINED IN THIS DRAWING IS THE SOLE PROPERTY OF STAYING HOME CORPORATION. ANY REPRODUCTION IN PART OR AS A WHOLE WITHOUT THE WRITTEN PERMISSION OF STAYING HOME CORPORATION IS PROHIBITED.



REVISIONS			
REV.	DESCRIPTION	DATE	BY
A	RELEASE	6/29/2023	DF

SIZE	DWG. NO.	REV
B	FXII - 3X1	A
SCALE: 1:32 WEIGHT: 2659.35 SHEET 1 OF 1		

8 7 6 5 4 3 2 1